

DESCRIPTION

AMC MODEL SW-1182-6D IS A REFLECTIVE BROAD BAND SP6T SWITCH MODULE WITH INTEGRAL TTL DRIVER.

SPECIFICATIONS

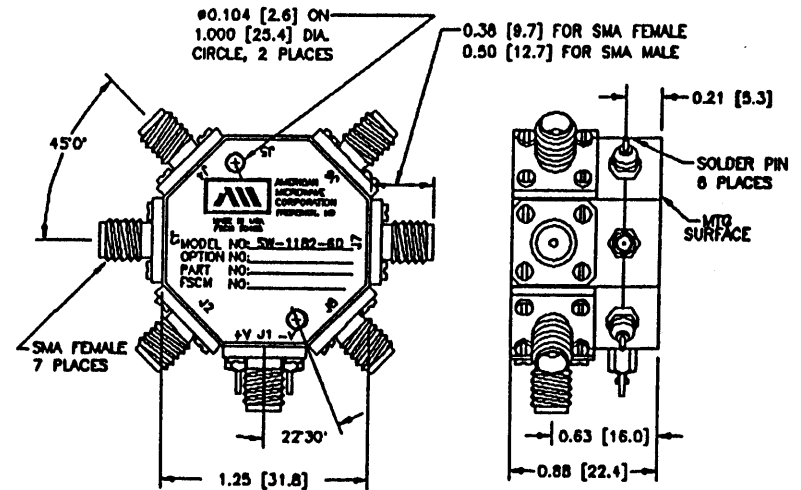
- FREQUENCY RANGE 1-18 GHz MINIMUM
- INSERTION LOSS 1-4 GHz, 1.6 dB MAXIMUM
4-8 GHz, 1.8 dB MAXIMUM
8-12.4 GHz, 2.2 dB MAXIMUM
12.4-18 GHz, 3.2 dB MAXIMUM
- ISOLATION 1-12.4 GHz, 60 dB MINIMUM
12.4-18 GHz, 50 dB MINIMUM
- VSWR (ON) 2.0:1 MAXIMUM
- RF POWER RATING 1W CW, 75W PEAK (1μS, PW MAXIMUM)
- SWITCHING TIME
RISE (10% RF TO 90% RF) 20 ns MAXIMUM
FALL (90% RF TO 10% RF) 20 ns MAXIMUM
ON (50% TTL TO 90% RF) 50 ns MAXIMUM
OFF (50% TTL TO 10% RF) 50 ns MAXIMUM
- CONTROL TTL, LOW POWER SCHOTTKY, (UNITY LOAD)
(SEE TRUTH TABLE)
LOGIC "0" = INSERTION LOSS
LOGIC "1" = ISOLATION
- POWER SUPPLY +5VDC ±5% @ 250 mA MAXIMUM
-12 TO -15VDC @ 60 mA MAXIMUM
- CONNECTORS
RF INPUT/OUTPUT SMA (FEMALE)
POWER SOLDER PIN
CONTROL SOLDER PIN
- SIZE 1.25" x 1.25" x 0.88"

AVAILABLE OPTIONS

- A01 50Ω CONTROL IMPEDANCE
- A02 100Ω CONTROL IMPEDANCE
- A03 INVERSE CONTROL LOGIC (LOGIC "0" ISOLATION)
- A04 EXTENDED FREQUENCY RANGE TO 100 MHz
- A07 VIDEO FILTER ON COMMON PORT ONLY (0.25 dB EXCESS LOSS)
- A08 VIDEO FILTER ON OUTPUT PORTS ONLY (0.25 dB EXCESS LOSS)
- A09 VIDEO FILTER ON ALL PORTS (0.5 dB EXCESS LOSS)
- A10 SMA MALE RF CONNECTORS (0.4 dB EXCESS LOSS)
- A11 SMC MALE CONTROL TERMINALS
- A13 +12 TO +18 VDC POWER SUPPLY
- A14 -5 VDC POWER SUPPLY

REVISIONS				
ZONE	REV.	DESCRIPTION	DATE	APPROVED
	A	ORIGINAL RELEASE, JOB #30110E	3/8/95	<i>[Signature]</i>

MECHANICAL OUTLINE



TRUTH TABLE						
E8	E7	E6	E4	E3	E2	RF PATH ON
1	1	1	1	1	0	J1-J2
1	1	1	1	0	1	J1-J3
1	1	1	0	1	1	J1-J4
1	1	0	1	1	1	J1-J6
1	0	1	1	1	1	J1-J7
0	1	1	1	1	1	J1-J8

NOTES:

- 1) DIMENSIONS ARE IN INCHES [MILLIMETERS]
- 2) TOLERANCES: X.XX ±0.020
X.XXX ±0.010
- 3) WEIGHT: APPROX. 2.5 OZ

ENVIRONMENTAL RATINGS

- TEMPERATURE:
OPERATING -65°C TO +110°C
NON-OPERATING -65°C TO +125°C
- HUMIDITY MIL-STD-202F, METHOD 103B COND. B
- SHOCK MIL-STD-202F, METHOD 213B COND. B
- VIBRATION MIL-STD-202F, METHOD 204D COND. B
- ALTITUDE MIL-STD-202F, METHOD 105C COND. B
- TEMPERATURE CYCLE MIL-STD-202F, METHOD 107D COND. A



AMERICAN MICROWAVE CORPORATION
7311G GROVE RD., FREDERICK, MD. 21701
TEL: (301) 662-4700 FAX: (301) 662-4938

APPROVALS	DATE
DRAWN <i>WSP</i>	3/8/95
CHECKED	

PRODUCT FEATURE

SW-1182-6D
1.0-18 GHz, SP6T SWITCH MODULE

SIZE A SHEET 1 OF 2 DWG. # 100-3199